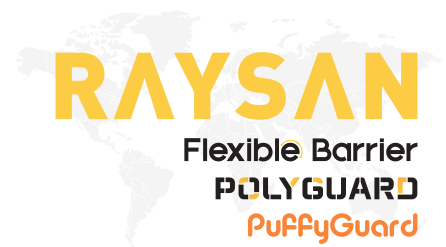


THINK FLEX- IBLE



DOCK GATE

TECHNICAL DATA SHEET



PRODUCT SPECIFICATIONS

MODEL	Post Dimension [D1]	Rail Dimension [D2]	Post Height [H]	Ring Height [H3]	Gate Length [L]
DELTA	Ø 200mm / 06,29	Ø 160mm / 03,54"	400mm 800mm / 43,30"	120 mm / 43,30"	MAX: 3500mm / 39,37" MAX: 2000mm / 39,37"
ZETA	Ø 160mm / 06,29	Ø 125mm / 03,54"	400mm 800mm / 43,30"	120 mm / 43,30"	MAX: 2500mm / 39,37" MAX: 1500mm / 39,37"

MODEL	Plate Dimension [A]	Plate Dimension [B]	Plate Thickness [T]	Fixations [M]
GATE	245mm / 7,48"	245mm / 7,48"	12mm / 0,31"	M16x125 / M0.47x4.92"
GATE	190mm / 7,48"	190mm / 7,48"	10mm / 0,31"	M12x125 / M0.47x4.92"

BASE PLATES



ELECTROSTATIC PAINT



STAINLESS STEEL



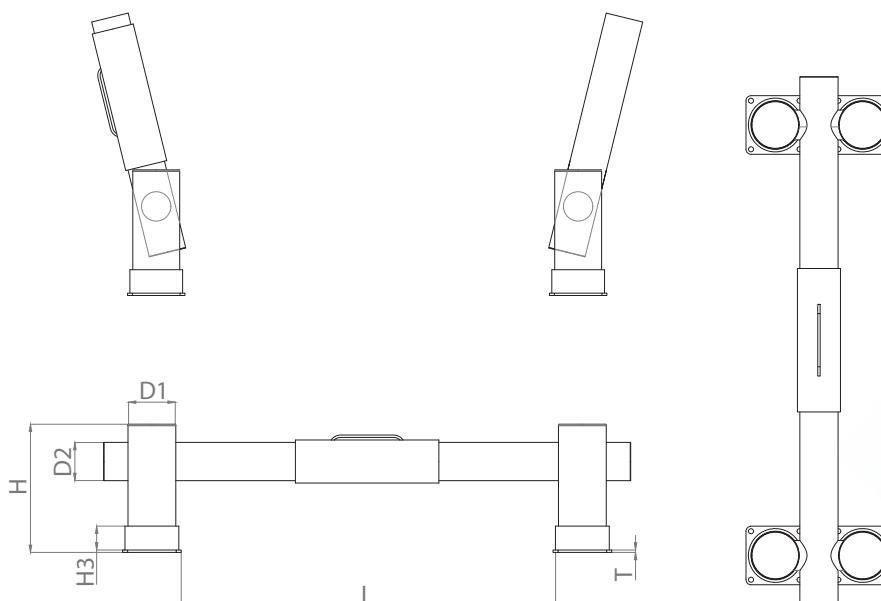
GALVANIZE

STANDARD COLOURS

RAL 1018 Pantone 123C

RAL 9005 Pantone B6C

*Please note that the RAL and PANTONE colours listed are the closest match to standard RAYSAN colours, but may not be exact matches of the actual product colour and should be used for guidance only.



OFFICE & WAREHOUSE 770 N La Salle Dr. Ste 700, Chicago IL ,60654 USA
FACTORY Karadenizliler Mah. Kaldırım Sok. No: 12, 41140 Kocaeli / TÜRKİYE

☎ (+1) 312 841-5300
☎ (+90) 216 223 00 23

✉ info@raysan.us
✉ info@raysan.com

🌐 www.raysan.us
🌐 www.raysan.com