

PuffyGuard



LIGHT WEIGHT, **HEAVY DUTY**

ENHANCE
WAREHOUSE SAFETY
AND EFFICIENCY

At **PuffyGuard** we take pride in delivering top-quality protection solutions that are engineered for durability and longevity. Our products are meticulously crafted using high-grade materials, ensuring they withstand the rigors of daily warehouse operations without compromising on performance.

PRODUCT **CATALOG**

ABOUT US



COMPANY PROFILE

Raysan, industrial structures, logistics warehouses, production facilities, chemical production and storage facilities, the most demanding working environments such as air areas, the production of flexible, durable and high efficiency security barriers of Turkey's first and only local firm. Instead of steel barriers, high-tech plastic raw materials develop, develop and produce high quality and innovative products by developing a variety of tests and analyzes.

SUSTAINABILITY

We use the resources of nature effectively and prudently in all of our production stages and act sensitively to nature. In order to produce lasting values within the sustainability approach, we create all of our products by preferring recyclable products.

QUALITY POLICY

As a Raysan Barrier, we aim to offer local and international quality standards, customer expectations, exactly in our flexible barrier productions or in our field practices, and our products are always on the quality of our products, business and human health always aim to provide services.

We work with perseverance and passion for our products and services to be customer-oriented. We continuously support our quality system with risk-based approaches and employee training to make sustainable.



Why

INVESTING IN OUR PROTECTION PRODUCTS ADDS SIGNIFICANT VALUE TO YOUR COMPANY AND YOUR EMPLOYEES

Unmatched Durability: Designed to endure heavy-duty use, our protection products provide long-lasting protection against impacts, collisions, and abrasions. By investing in durable solutions upfront, you can minimize the need for frequent replacements, thereby reducing maintenance costs and downtime.

Enhanced Safety: Safety is non-negotiable in any warehouse setting. Our edge protectors, corner guards, and padding solutions create a cushioning barrier that minimizes the risk of injuries caused by accidental collisions with sharp edges, corners, or hard surfaces. By mitigating workplace hazards, you create a safer environment for your employees to operate in, ultimately boosting morale and productivity.

Preservation of Assets: Your warehouse is home to valuable equipment, machinery, and inventory. Our protection products act as a protective shield, safeguarding your assets from damage during handling, storage, and transportation. By preventing costly damages and minimizing the risk of product loss, you can preserve your investments and maintain operational efficiency.

Versatile Applications: Whether you need to protect rack systems, columns, walls, or floors, our diverse range of protection solutions offers versatility to suit various applications within your warehouse. Customizable options ensure a tailored fit for your specific requirements, allowing you to optimize space utilization while prioritizing safety.

Peace of Mind: With our reliable protection products in place, you can have peace of mind knowing that your warehouse is fortified against potential hazards. By proactively addressing safety concerns and investing in quality solutions, you demonstrate a commitment to the well-being of your workforce and the longevity of your business.

In conclusion, by choosing **PuffyGuard** as your trusted partner for protection products, you're making a proactive investment in safety, efficiency, and asset preservation. Discover the difference our reliable solutions can make in enhancing your warehouse environment and empowering your employees to work with confidence.

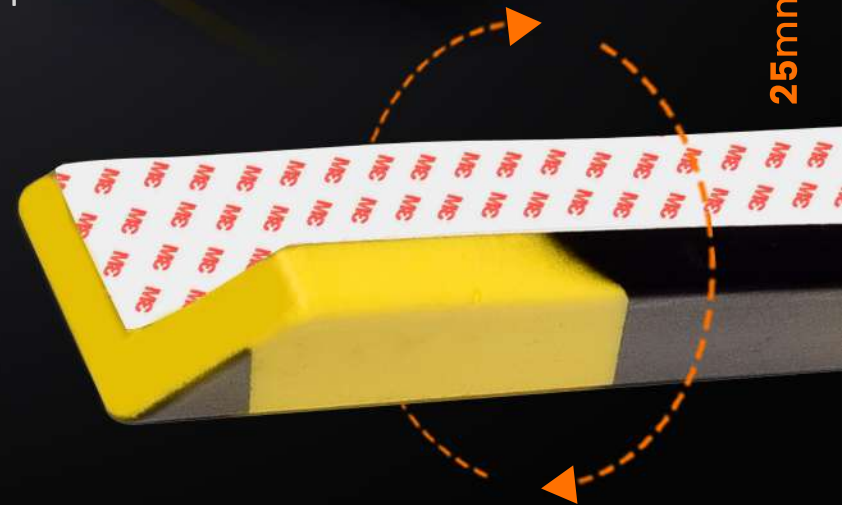
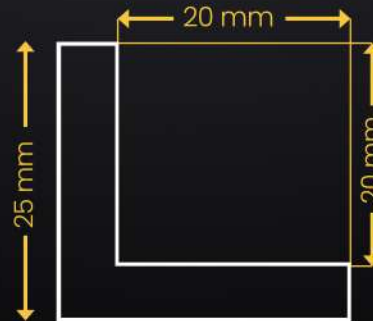
SURROUNDING
SAFETY EQUIPMENT

CORNER GUARD "L1"



- It is 1 metre long.
- Protection sponge known as low ceiling head impact sponge.
- Wall, corner, etc. They are effective protectors against areas that may pose a danger at joints.
- Sponge type for corner protection thanks to its L form. Our warning and corner protectors; It is produced to ensure personal safety at dangerous points and to prevent damage to devices and fixtures.
- Our profiles show superior resistance to temperatures ranging from -30° C to +90° C.
- After possible accidents, it can greatly prevent time and material losses that will occur for personnel absenteeism, repair of machines, etc., which cause disruption of work.

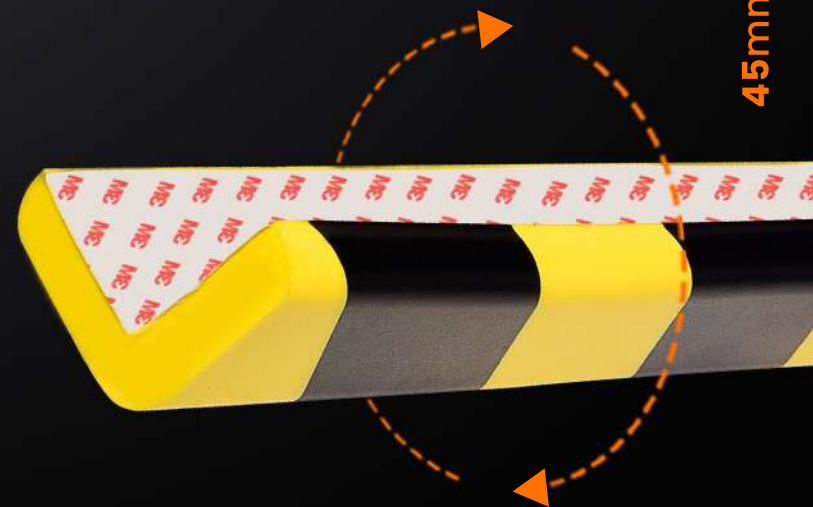
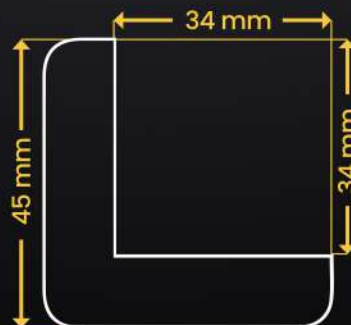
25mm x 25mm x 1000 mm



CORNER GUARD "L2"



- It is 1 metre long.
- L-shaped edge and corner protection foam.
- It is a head impact protection sponge, also known as low ceiling sponge in general.
- Wall, corner, etc. They are effective protectors against areas that may pose a danger at joints.
- Our profiles show superior resistance to temperatures ranging from -30°C to $+90^{\circ}\text{C}$.
- After possible accidents, it can greatly prevent time and material losses that will occur for personnel absenteeism, repair of machines, etc., which cause disruption of work.

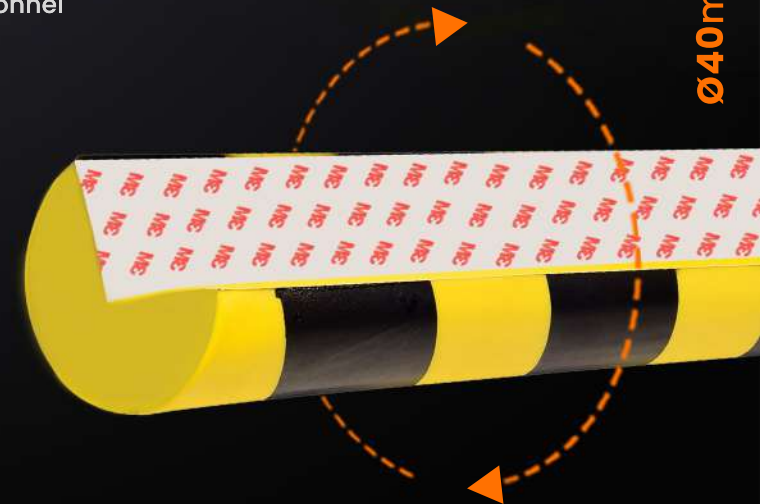
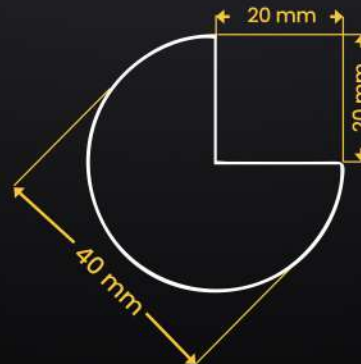
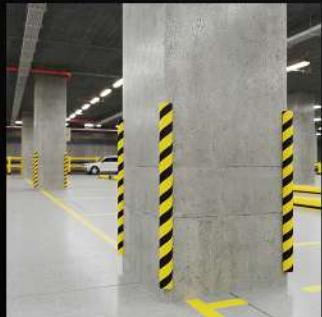


45mm x 45mm x 1000 mm

CORNER GUARD "C1"



- It is 1 metre long.
- Protection sponge known as low ceiling head impact sponge.
- The product known as the pipe sponge type that contributes to the insulation known as profile pipe sponge.
- Our warning and corner protectors; It is produced to ensure personal safety at dangerous points and to prevent damage to devices and fixtures. Wall, corner, etc.
- Our profiles show superior resistance to temperatures ranging from -30°C to $+90^{\circ}\text{C}$.
- After possible accidents, it can greatly prevent time and material losses that will occur for personnel absenteeism, repair of machines, etc., which cause disruption of work.

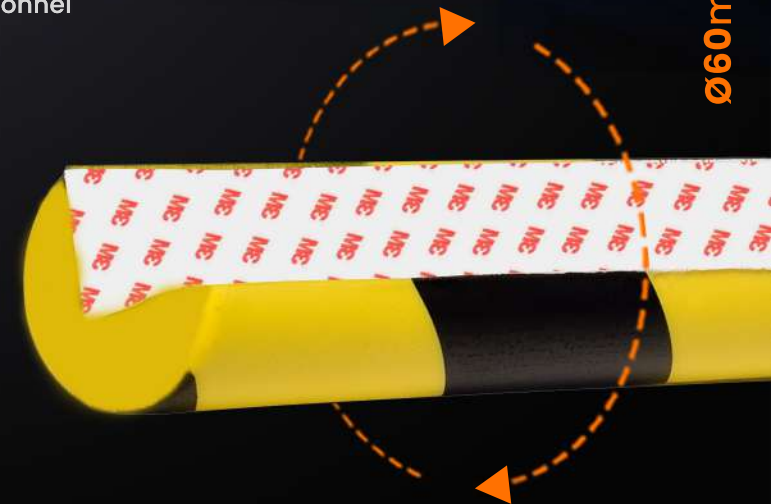
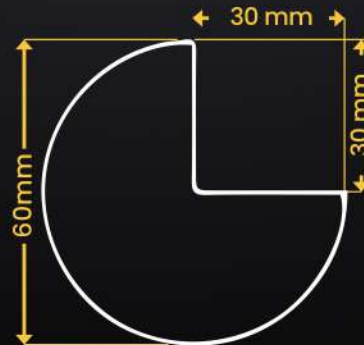


Ø40mm x 1000 mm

CORNER GUARD "C2"



- It is 1 metre long.
- Edge or corner protection product with sponge.
- It is a protection sponge product, also known as head protection for work safety.
- A3 type has different lengths. Our warning and corner protectors; It is produced to ensure personal safety at dangerous points and to prevent damage to devices and fixtures.
- Our profiles show superior resistance to temperatures ranging from -30°C to $+90^{\circ}\text{C}$.
- After possible accidents, it can greatly prevent time and material losses that will occur for personnel absenteeism, repair of machines, etc., which cause disruption of work.

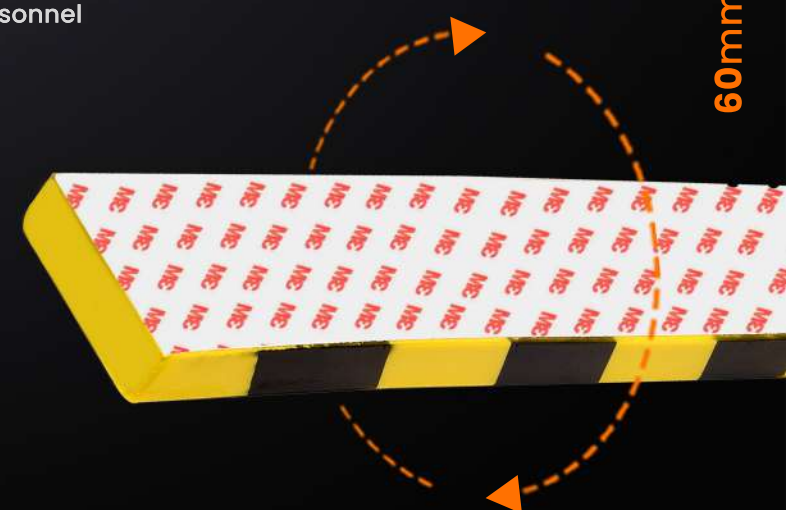


Ø60mm x 1000 mm

WALL PANEL PROTECTOR "1"



- It is 1 metre long.
- It is passed as flat floor protection sponge and provides protection with its sponge structure in case of accident in large flat areas.
- It is a protection sponge product, also known as head protection for work safety.
- Wall, corner, etc. They are effective protectors against areas that may pose a danger at joints.
- Our profiles show superior resistance to temperatures ranging from -30°C to $+90^{\circ}\text{C}$.
- After possible accidents, it can greatly prevent time and material losses that will occur for personnel absenteeism, repair of machines, etc., which cause disruption of work.



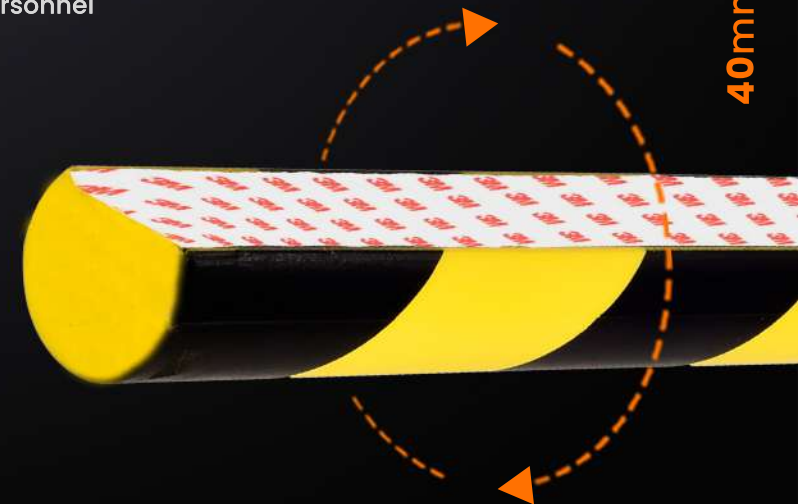
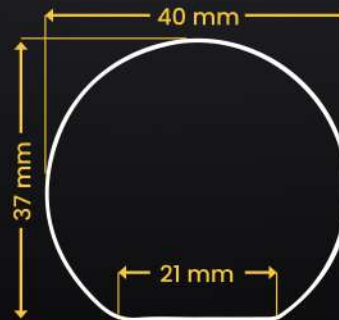
60mm x 20mm x 1000 mm

WALL PANEL PROTECTOR "D"



- It is 1 metre long.
- It is also referred to as occupational safety yellow black sponge.
- It is a protection sponge product, also known as head protection for work safety.
- With its high visibility yellow/black stripes, it increases the awareness of places such as corners and edges that may cause danger.
- Our profiles show superior resistance to temperatures ranging from -30° C to +90° C.
- After possible accidents, it can greatly prevent time and material losses that will occur for personnel absenteeism, repair of machines, etc., which cause disruption of work.

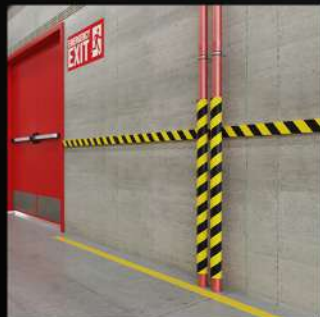
40mm x 37mm x 1000 mm



PIPE PROFILE PROTECTOR "O"



- It is 1 metre long.
- The product known as the pipe sponge type that contributes to the insulation known as profile pipe sponge.
- It is a protection sponge product, also known as head protection for work safety.
- With its high visibility yellow/black stripes, it increases the awareness of places such as corners and edges that may cause danger.
- Our profiles show superior resistance to temperatures ranging from -30° C to +90° C.
- After possible accidents, it can greatly prevent time and material losses that will occur for personnel absenteeism, repair of machines, etc., which cause disruption of work.

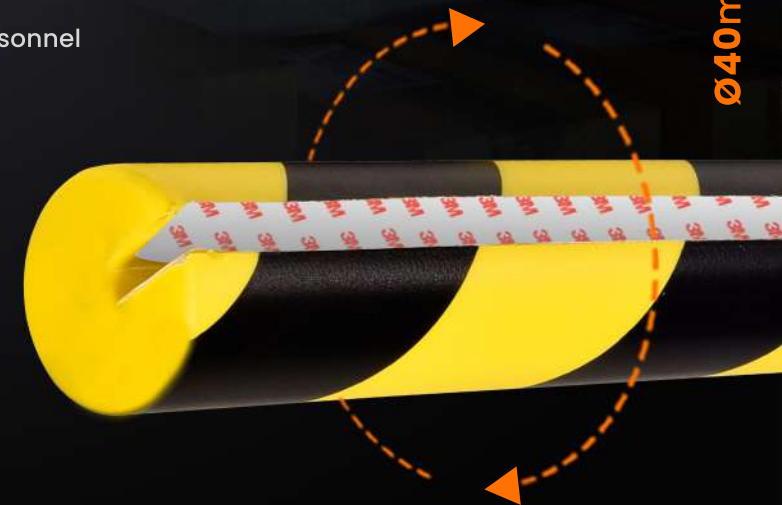
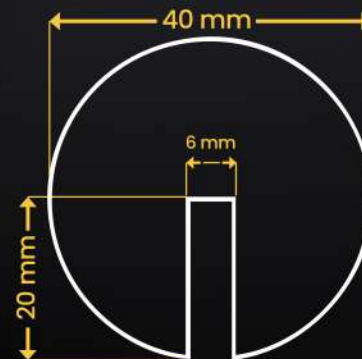


70mm x 50mm x 1000 mm

PROFILE PROTECTOR "A"



- It is 1 metre long.
- Sponge protection for iron profiles is a work safety product that is generally sponge protection for warehouse shelves.
- It is a protection sponge product, also known as head protection for work safety.
- Suitable for indoor and outdoor use. It can be easily applied on workplace transmission lines, walls, shelves, passages, doors and machines.
- Our profiles show superior resistance to temperatures ranging from -30°C to $+90^{\circ}\text{C}$.
- After possible accidents, it can greatly prevent time and material losses that will occur for personnel absenteeism, repair of machines, etc., which cause disruption of work.

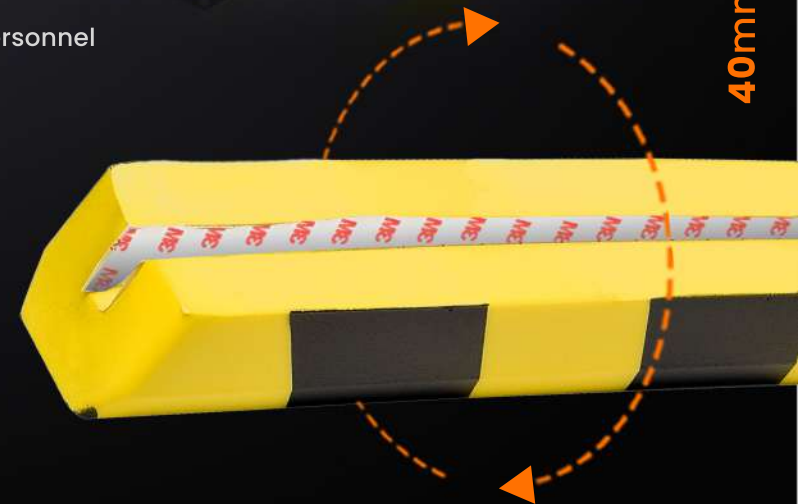
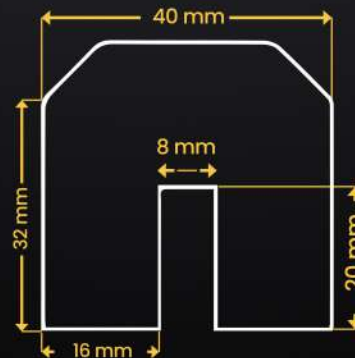


Ø40mm x 1000 mm

PROFILE PROTECTOR "U"



- It is 1 metre long.
- Shelf and profile protection sponge A2 type. It is also referred to as head protection sponges that prevent head injuries occurring on shelves.
- It can be easily applied on workplace transmission lines, walls, shelves, passages, doors and machines.
- Our warning and corner protectors; It is produced to ensure personal safety at dangerous points and to prevent damage to devices and fixtures. Wall, corner, etc.
- Our profiles show superior resistance to temperatures ranging from -30° C to +90° C.
- After possible accidents, it can greatly prevent time and material losses that will occur for personnel

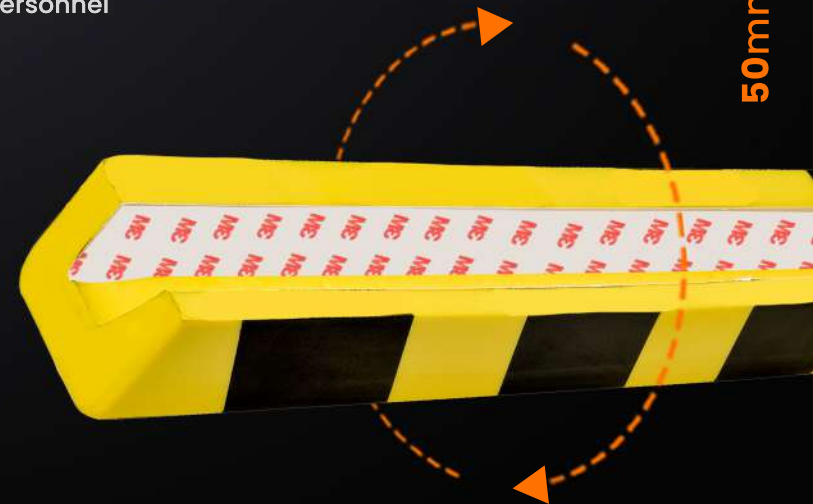
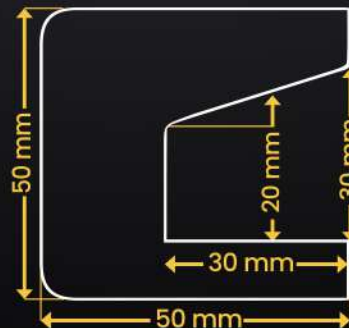


40mm x 40mm x 1000 mm

PROFILE PROTECTOR "V"



- It is 1 metre long.
- Work safety equipment referred to as shelf corner protection sponges.
- Head and elbow sponge that prevents shelf accidents.
- Our warning and corner protectors; It is produced to ensure personal safety at dangerous points and to prevent damage to devices and fixtures. Wall, corner, etc.
- Our profiles show superior resistance to temperatures ranging from -30°C to $+90^{\circ}\text{C}$.
- After possible accidents, it can greatly prevent time and material losses that will occur for personnel absenteeism, repair of machines, etc., which cause disruption of work.



50mm x 50mm x 1000 mm

PuffyGuard

Warning and protective products, a domestic brand, aim to protect human health against possible work accidents and prevent physical injuries. It prevents the disruption of your work by protecting not only human health but also machinery and fixtures. In this way, you can continue your working and daily life safely.

FACTORY 1 Karadenizliler Mah. Kaldırım Sok. No:12, 41140 Kocaeli / TÜRKİYE

FACTORY 2 Vezirçiftliği Mah. Yalkım Sok. No:12, 41140 Kocaeli / TÜRKİYE

☎ (+90) 216 223 00 23 ✉ info@raysan.com 🌐 www.raysan.com