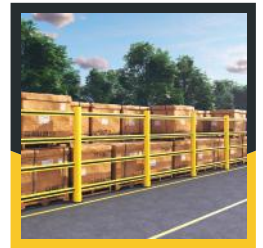


# THINK FLEX- IBLE

## TOPPLE BARRIER

TECHNICAL DATA SHEET

### PRODUCT SPECIFICATIONS



MODEL	Post Dimension [D1]	Rail Dimension [D2]	Post Height [H]	Ring Height [H3]	Lenght [L]
DELTA	Ø200mm / Ø7,87"	100x50mm / 3,93x1,96"	HA 1900mm / 74,83" HB 3400mm / 133,85" HC 4900mm / 192,91"	200mm / 7,87"	MAX: 1500mm / 59,05" MIN: 500mm / 19,68"

MODEL	Plate Dimension [A]	Plate Dimension [B]	Plate Thickness [T]	Fixations [M]
DELTA	245mm / 9,64"	245mm / 9,64"	12mm / 0,47"	M12x125 / M0.47x4.92"

### BASE PLATES



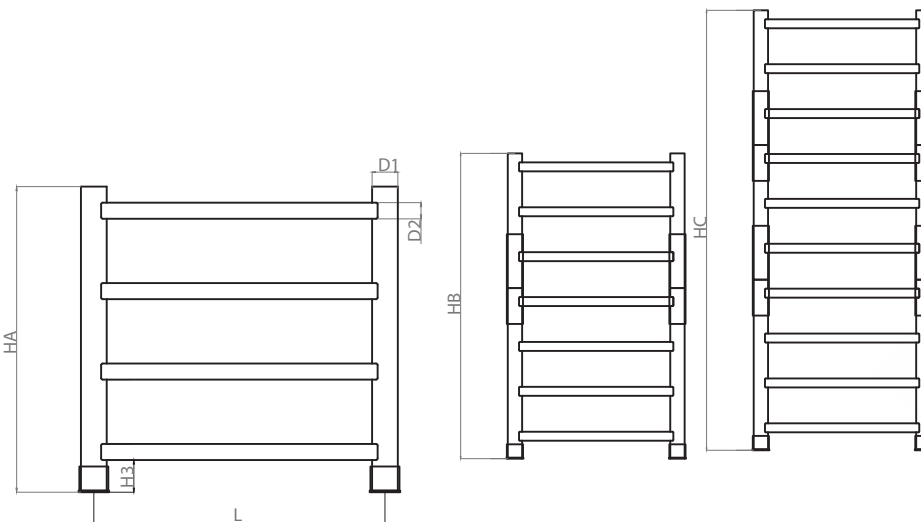
ELECTROSTATIC PAINT



STAINLESS STEEL



GALVANIZE



### STANDARD COLOURS

RAL 1018 Pantone 123C

RAL 9005 Pantone B6C

\*Please note that the RAL and PANTONE colours listed are the closest match to standard RAYSAN colours, but may not be exact matches of the actual product colour and should be used for guidance only.



OFFICE & WAREHOUSE 770 N La Salle Dr. Ste 700, Chicago IL ,60654 USA  
FACTORY Karadenizliler Mah. Kaldırım Sok. No: 12, 41140 Kocaeli / TÜRKİYE

☎ (+1) 312 841-5300  
☎ (+90) 216 223 00 23

✉ info@raysan.us  
✉ info@raysan.com

🌐 www.raysan.us  
🌐 www.raysan.com