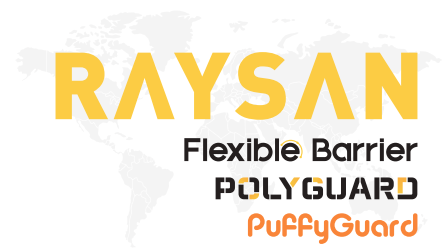


THINK FLEX- IBLE



1R BARRIER XL HAND RAIL

TECHNICAL DATA SHEET



PRODUCT SPECIFICATIONS

MODEL	Post Dimension [D1]	Rail Dimension [D2]	Hand Rail Dimension [D3]	Post Height [H1]	Hand Rail Height [H2]	Hand Rail Length [L]	Rail Length [L2]
ZETA	Ø160mm / Ø6.29"	Ø250mm / Ø9.84"	50x100mm / 1.96x3.93"	1100mm / 43.30"	600mm / 23.62"	MAX: 2000mm / 78.74" MIN: 1000mm / 39.37"	L+D1+200mm / L+D1+7.87"
TETA	Ø125mm / Ø4.92"	Ø200mm / Ø7.87"	50x100mm / 1.96x3.93"	1100mm / 43.30"	600mm / 23.62"	MAX: 2000mm / 78.74" MIN: 1000mm / 39.37"	L+D1+200mm / L+D1+7.87"

MODEL	Plate Dimension [A]	Plate Dimension [B]	Plate Thickness [T]	Fixations [M]
ZETA	290mm / 11.41"	180mm / 7.08"	15mm / 0.59"	M16x125 / M0.62x4.92"
TETA	240mm / 9.44"	150mm / 5.90"	12mm / 0.47"	M12x125 / M0.47x4.92"

BASE PLATES



ELECTROSTATIC PAINT



STAINLESS STEEL



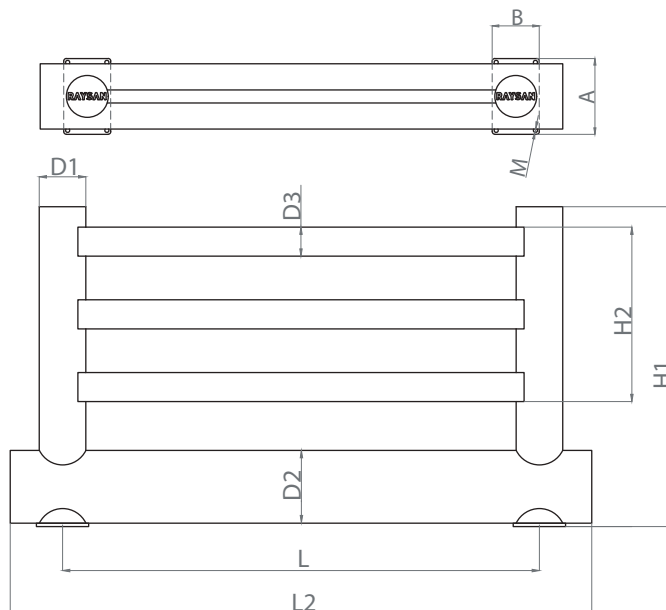
GALVANIZE

STANDARD COLOURS

RAL 1018 Pantone 123C

RAL 9005 Pantone B6C

*Please note that the RAL and PANTONE colours listed are the closest match to standard RAYSAN colours, but may not be exact matches of the actual product colour and should be used for guidance only.



FACTORY 1 Karadenizliler Mah. Kaldırım Sok. No: 12, 41140 Kocaeli / TÜRKİYE | (+90) 216 223 00 23 | info@raysan.com | www.raysan.com | FACTORY 2 Vezirçiftliği Mah. Yalkım Sok. No:12, 41140 Kocaeli / TÜRKİYE

