

# RAYSAN

Flexible Barrier  
**POLYGUARD**  
PuffyGuard

TÜVNORD

TÜV NORD CERT GmbH

ISO 9001

tuev-nord.de

# C2 CORNER GUARD

TECHNICAL DATA SHEET

## PRODUCT SPECIFICATIONS

MODEL	Dimension	Length
C2	Ø 60 mm	1000 mm

## ON SITE APPLICATION

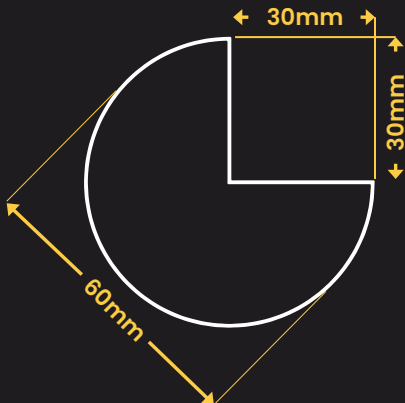


# 3M

ADHESIVE TAPE

FOR A **MAXIMUM GRIP**

## TECHNICAL SPECIFICATIONS



**FACTORY 1** Karadenizliler Mah. Kaldırım Sok. No: 12, 41140 Kocaeli / TÜRKİYE **FACTORY 2** Vezirçiftliği Mah. Yalkım Sok. No:12, 41140 Kocaeli / TÜRKİYE

| (+90) 216 223 00 23 | info@raysan.com | www.raysan.com |