



# RAYSAN

Flexible Barrier  
**POLYGUARD**  
PuffyGuard

# D

## WALL PANEL PROTECTOR

TÜVNORD

TÜV NORD CERT GmbH

ISO 9001

tuev-nord.de

TECHNICAL DATA SHEET

### PRODUCT SPECIFICATIONS

MODEL	Dimension	Length
D	40 mm x 37 mm	1000 mm

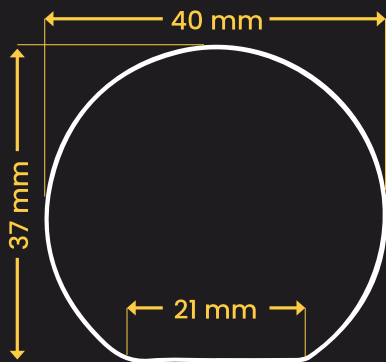


# 3M

## ADHESIVE TAPE

### FOR A MAXIMUM GRIP

### TECHNICAL SPECIFICATIONS



### ON SITE APPLICATION



FACTORY 1 Karadenizliler Mah. Kaldırım Sok. No: 12, 41140 Kocaeli / TÜRKİYE FACTORY 2 Vezirçiftliği Mah. Yalkım Sok. No:12, 41140 Kocaeli / TÜRKİYE

| (+90) 216 223 00 23 | info@raysan.com | www.raysan.com |