

RAYSAN

Flexible Barrier
POLYGUARD
PuffyGuard

TÜVNORD

TÜV NORD CERT GmbH

ISO 9001

tuev-nord.de

PROFILE

PROTECTOR

TECHNICAL DATA SHEET

PRODUCT SPECIFICATIONS

MODEL	Dimension	Length
A	Ø40 mm	1000 mm

.....

ON SITE APPLICATION

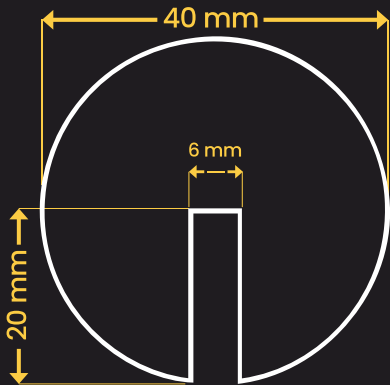


3M

ADHESIVE TAPE

FOR A **MAXIMUM GRIP**

TECHNICAL SPECIFICATIONS



FACTORY 1 Karadenizliler Mah. Kaldırım Sok. No: 12, 41140 Kocaeli / TÜRKİYE **FACTORY 2** Vezirçiftliği Mah. Yalkım Sok. No:12, 41140 Kocaeli / TÜRKİYE

| (+90) 216 223 00 23 | info@raysan.com | www.raysan.com |

Value People and Nature